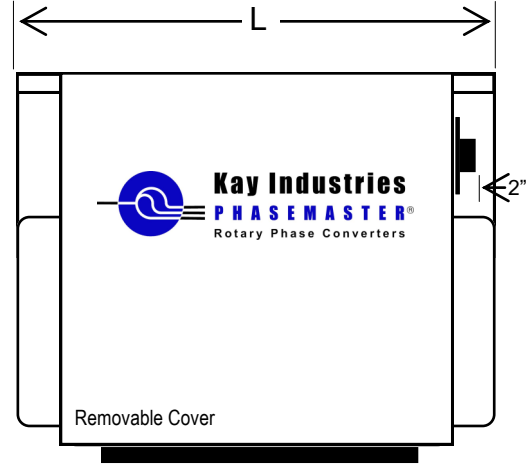
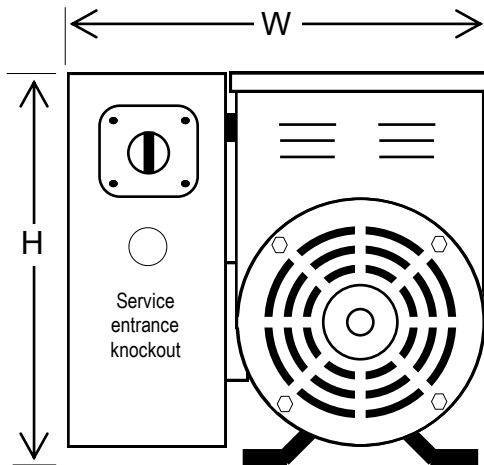
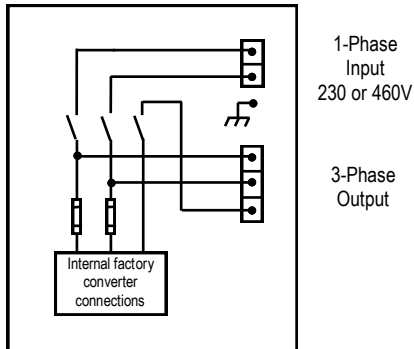


PHASEMASTER® ROTARY PHASE CONVERTER WITH BUILT-IN DISCONNECT SWITCH

TYPE MA-R



Type MA-R Connection Arrangement



No voltage is present at output terminals unless converter is operating. Output voltage is 3-phase equivalent of input

Model No.	Largest HP	Max HP	Dimensions (inches)			
			L	W	H	Wt.
SD-60-R	1.5	3	12	12	14	75
MA-00-R	2	4	12	12	15	100
MA-0-R	3	6	12	12	15	120
MA-1-R	5	15	14	17	18	225
MA-1B-R	7.5	22	17	20	22	277
MA-2-R	10	30	19	20	22	327
MA-3-R	15	45	20	22	26	444
MA-4-R	20	60	22	24	27	450
MA-5-R	25	75	25	24	27	515
MA-6-R	30	90	25	27	33	660
MA-7-R	40	120	26	27	33	805
MA-8-R	50	150	27	29	35	925
MA-9-R	60	180	30	29	35	970

GENERAL OPERATING SPECIFICATIONS:

Input Voltage: 230 or 460V single-phase, 50 or 60 Hz
 Output Voltage: 230 or 460V single-phase, 3-wire delta
 Output Regulation: 2-5% at rated output
 Harmonic Content: <1%
 Power Factor: .95 or greater at full load
 Operating Efficiency: >95% at full load
 Operating Reliability: MTBF >50,000 hours

NOTES:

- Models MA-7-R through MA-9-R available in 480V only
- Specify input voltage when ordering
- See Drawings 0302-MAR for switch, fuse and feeder sizes
- Actual dimensions will not exceed those shown.
- Input/output terminal are right side entry unless otherwise specified
- Max HP rating may vary depending type of load equipment operated

© Kay Industries, Inc. 2009



Corporate Office
 PO Box 1323
 South Bend, IN 46624
 800-348-5257 574-289-5932 fax

Western Region Office
 Fremont, CA

510-656-8766