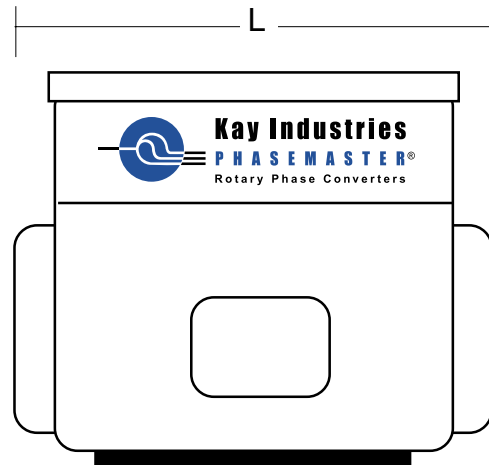
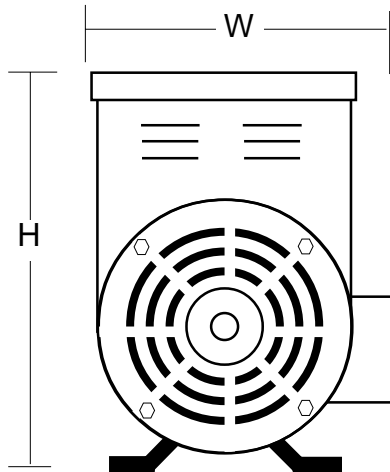


PHASEMASTER® ROTARY PHASE CONVERTER

TYPE MA



Model No.	Largest HP	Max HP	Dimensions (Inches)			
			L	W	H	Wt.
SD-60	1.5	3	10	11	12	64
MA-00	2	6	10	12	14	89
MA-0	3	9	11	12	14	108
MA-1	5	15	14	14	17	204
MA-1B	7.5	22	16	17	20	261
MA-2	10	30	18	17	22	307
MA-3	15	45	20	18	26	419
MA-4	20	60	21	21	28	423
MA-5	25	75	22	21	28	487
MA-6	30	90	23	23	30	622
MA-7	40	120	24	23	30	768
MA-8	50	150	25	27	34	885
MA-9	60	180	27	27	34	923
MA-10	75	225	29	30	37	1200
MA-11	100	300	30	30	38	1450

NOTES:

This converter requires a separately mounted disconnect switch and fuses for on-off control and short circuit protection.

See Drawings 0302-MA for complete connection details including switch, fuse and feeder sizes.

Actual dimensions will not exceed those shown.

© Kay Industries, Inc. 2001



Corporate Office
604 N. Hill St.
South Bend, IN 46617
800-348-5257 219-289-5932 fax

Western Region Office
4127 Bay St. Suite 6
Fremont, CA 94538
510-656-8766 510-657-7283 fax