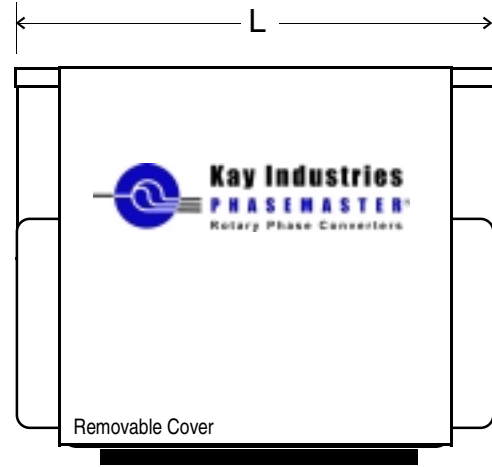
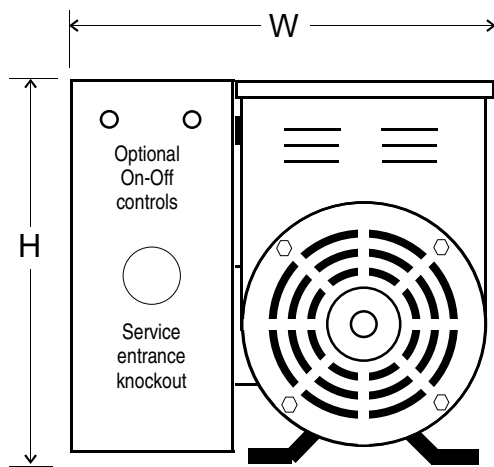
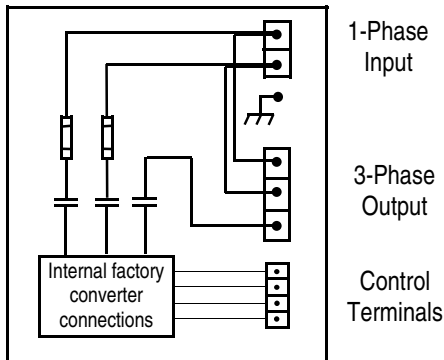


PHASEMASTER® ROTARY PHASE CONVERTER WITH AUTOMATIC CONTROLS

TYPE MA-A



Control Panel Terminal Arrangement



Model No.	Largest HP	Max HP	Dimensions (inches)			
			L	W	H	Wt.
SD-60-A	1.5	3	12	12	14	75
MA-00-A	2	4	12	12	15	100
MA-0-A	3	6	12	12	15	120
MA-1-A	5	15	14	17	18	225
MA-1B-A	7.5	22	17	20	22	277
MA-2-A	10	30	19	20	22	327
MA-3-A	15	45	20	22	26	444
MA-4-A	20	60	22	24	27	450
MA-5-A	25	75	25	24	27	515
MA-6-A	30	90	25	27	33	660
MA-7-A	40	120	26	27	33	805
MA-8-A	50	150	27	29	35	925
MA-9-A	60	180	30	29	35	970
MA-10-A	75	225	34	32	36	1265

NOTES:

See Drawings 0302-MA and 0302-AUTO for complete connection details including switch, fuse and feeder sizes.

Actual dimensions will not exceed those shown.

© Kay Industries, Inc. 2001

Model Number _____ Company _____

HP Rating _____ Date _____

Certified by: _____ P.O. Number _____



Corporate Office
604 N. Hill St.
South Bend, IN 46617
800-348-5257 219-289-5932 fax

Western Region Office
4127 Bay St. Suite 6
Fremont, CA 94538
510-656-8766 510-657-7283 fax