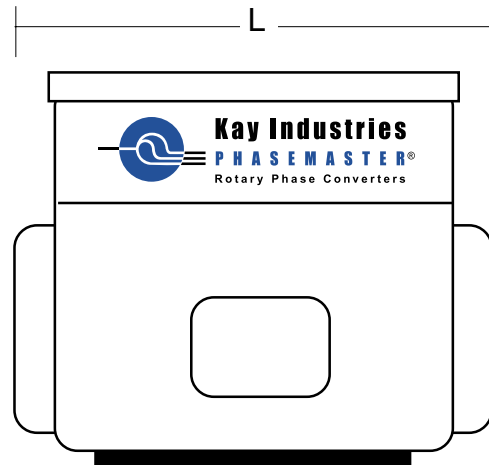
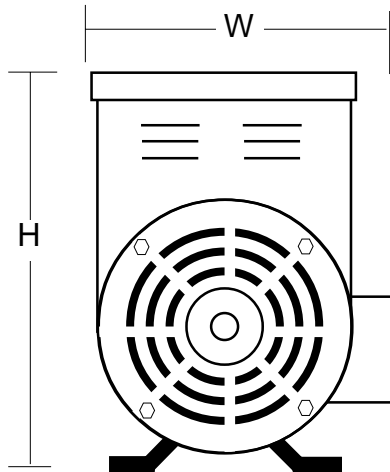


# PHASEMASTER® ROTARY PHASE CONVERTER

## TYPE DP



Model No.	Largest HP	Max HP	Dimensions (Inches)			
			L	W	H	Wt.
DP-0	2	4	11	12	14	105
DP-1	3	6	14	14	17	215
DP-1B	5	10	16	17	20	275
DP-2	7.5	15	18	17	22	313
DP-3	10	20	20	18	26	420
DP-4	15	30	21	21	28	434
DP-5	20	40	22	21	28	495
DP-6	25	50	23	23	30	635
DP-7	30	60	24	23	30	773
DP-8	40	80	25	27	34	892
DP-9	50	100	27	27	34	930
DP-10	60	120	30	30	37	1225

**NOTES:**

This converter requires a separately mounted disconnect switch and fuses for on-off control and short circuit protection.

See Drawings 0302-DP for complete connection details including switch, fuse and feeder sizes.

Actual dimensions will not exceed those shown.

© Kay Industries, Inc. 2001



**Kay Industries**  
**PHASEMASTER®**  
Rotary Phase Converters

Corporate Office  
604 N. Hill St.  
South Bend, IN 46617  
800-348-5257 219-289-5932 fax

Western Region Office  
4127 Bay St. Suite 6  
Fremont, CA 94538  
510-656-8766 510-657-7283 fax